

DEVELON

Log Loader

DX380LL-5



Engine

| | |
|---------------------------------------|-------------------------------------|
| Make | Scania |
| Model | DC09 089A |
| Number of cylinders | 5 |
| Rated power, gross (hp per SAE J1995) | 318 hp (237 kW) @ 1800 rpm |
| Rated power, net (hp per SAE J1349) | 313 hp (233 kW) @ 1800 rpm |
| Max. torque, gross (SAE J1995) | 976 lbf.ft. (135 kgf.m) @ 1300 rpm |
| Piston displacement | 568 in. ³ (9.3 L) |
| Bore and stroke | 5.1 in. x 5.5 in. (130 mm x 140 mm) |
| Starter | 24 V, 8.0 hp (6.0 kW) |
| Battery | 2 x 12 V, 200 AH |
| Alternator | 24 V, 100 A |
| Air cleaner | Three-stage filtering |

Hydraulics

| | |
|--------------------------|-----------------------------|
| Main pumps | 2 x 93 gpm (2 x 350 L/min.) |
| Pilot pump (gear design) | 6.3 gpm (24 L/min.) |

Maximum System Pressure

| | |
|-------------------------------|------------------------------------|
| Boom/arm/bucket (normal) | 4980 psi (350 kg/cm ²) |
| Boom/arm/bucket (power boost) | 5263 psi (370 kg/cm ²) |
| Travel (normal) | 4980 psi (350 kg/cm ²) |
| Swing (normal) | 4552 psi (320 kg/cm ²) |

Undercarriage

| | |
|----------------------------------|---------------|
| Upper rollers (each track) | 2 |
| Lower rollers (each track) | 9 |
| Number of shoes (links per side) | 53 |
| Total length of track | 18' (5492 mm) |

Swing Mechanism

| | |
|--------------|------------------------------|
| Swing speed | 0 - 7.7 rpm |
| Swing torque | 129876 lbf.ft. (17956 kgf.m) |

Drive System

| | |
|--|--------------------------------|
| Travel speed (low - high) | 1.7 - 3.0 mph (2.8 - 4.8 km/h) |
| Traction force (drawbar pull) | 115081 lbf. (52200 kgf) |
| Max. grade (limited by engine lubrication) | 70% (35°) |

Environment

| | |
|------------------------------|-----------|
| Sound level (2000/14/EC) | 104 dB(A) |
| Cabin sound level (ISO 6396) | 69 dB(A) |

Refill Capacities

| | |
|-------------------------|------------------------|
| Fuel tank | 158.5 gal. (600 L) |
| DEF tank | 18.5 gal. (70 L) |
| Cooling system | 14.3 gal. (54.3 L) |
| Engine oil | 9.5 gal. (36 L) |
| Swing reduction unit | 2 x 1.1 gal. (2 x 4 L) |
| Final drive (each side) | 2.4 gal. (9 L) |
| Hydraulic system | 125.5 gal. (475 L) |
| Hydraulic tank | 100 gal. (380 L) |

Hydraulic Cylinders

| | |
|---|---|
| Boom (2) bore x rod diameter x stroke | 6.7 in. x 4.5 in. x 56.3 in. (170 mm x 115 mm x 1429 mm) |
| Arm (1) bore x rod diameter x stroke | 7.5 in. x 5.1 in. x 64.4 in. (190 mm x 130 mm x 1635 mm) |
| Heel (1) bore x rod diameter x stroke | 5.9 in. x 4.1 in. x 45.3 in. (150 mm x 105 mm x 1150 mm) |
| Bucket (1) bore x rod diameter x stroke | - |

The piston rods and cylinder bodies are made of high-strength steel. A shock-absorbing mechanism is fitted in all cylinders to ensure shock-free operation and extended piston life.

Note: Where applicable, dimensions are in accordance with Society of Automotive Engineers (SAE) and ISO standards. Specifications and design are subject to change without notice. All dimensions are given for DEVELON log loaders equipped with standard tracks and the standard front as listed. Pictures of DEVELON log loaders may show other than standard equipment. All dimensions are shown in imperial. Respective metric dimensions are enclosed by parentheses. DEVELON equipment is manufactured with a Quality Management System that is in compliance with ISO 9001:2008.

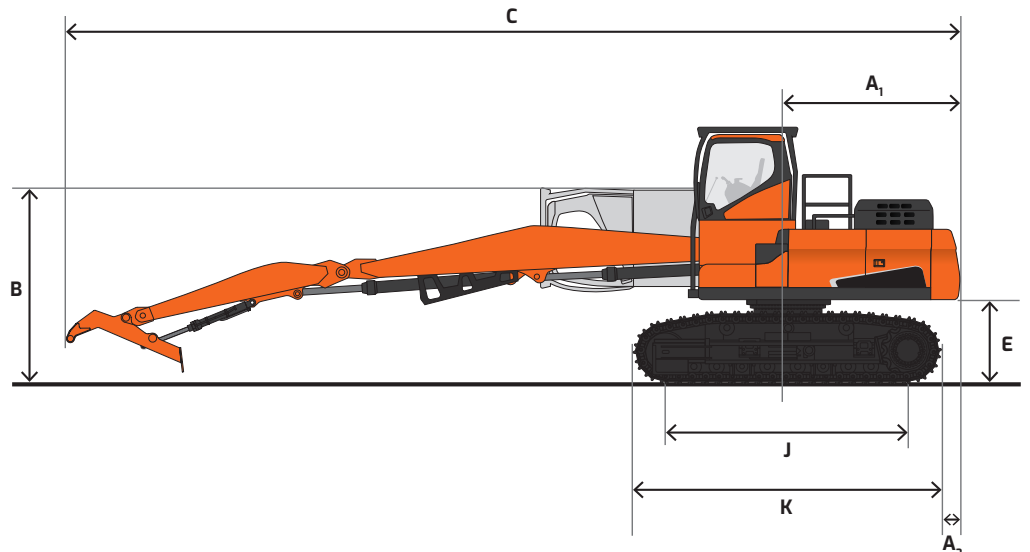
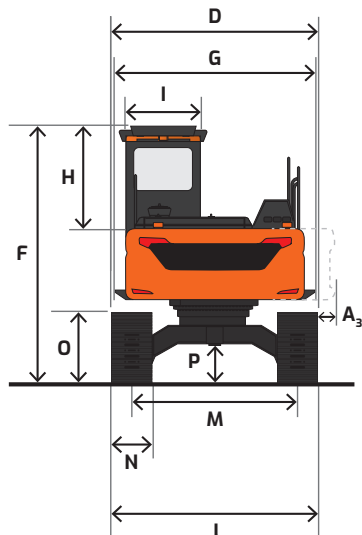
Dimensions

Log Loader | Forestry Cab (U520)

| | | |
|----------------------------|----------------|--------------------------------|
| Boom length | | 23' 4" (7100 mm) |
| Arm length | | 15' 7" (4750 mm) |
| Heel | | 8' 8" (2630 mm) |
| Track type | | High & wide fixed |
| Tail swing radius | A ₁ | 13' 0" (3965 mm) |
| Tail swing overhang (rear) | A ₂ | 4' 0" (1219 mm) |
| Tail swing overhang (side) | A ₃ | 7' 0" (2145 mm) |
| Shipping height** | B | 12' 2" (3700 mm) |
| Shipping length | C | 56' 3" (17150 mm) |
| Shipping width | D | 11' 11" (3640 mm) |
| Counterweight clearance** | E | 4' 10" (1464 mm) |
| Cabin height** | F | 16' 2" (4940 mm) |
| Cab riser* | | 3' 11" (1200 mm) |
| Upper structure width | G | 11' 10" (3606 mm) |
| Cabin height above house | H | 7' 10" (2380 mm) |
| Cabin width | I | 3' 9" (1140 mm) |
| Cabin guarding width* | | Std. on forestry cab structure |
| Tumbler distance | J | 14' 8" (4475 mm) |
| Overall track length | K | 18' (5492 mm) |
| Undercarriage width | L | 11' 11" (3640 mm) |
| Track gauge width | M | 9' 8" (2940 mm) |
| Track shoe width | N | 2' 4" (700 mm) |
| Track height** | O | 3' 11" (1191 mm) |
| Car body clearance** | P | 2' 6" (760 mm) |
| Cabin tilting angle* | | 90° |

*Not shown on diagram

**Without shoe grouser



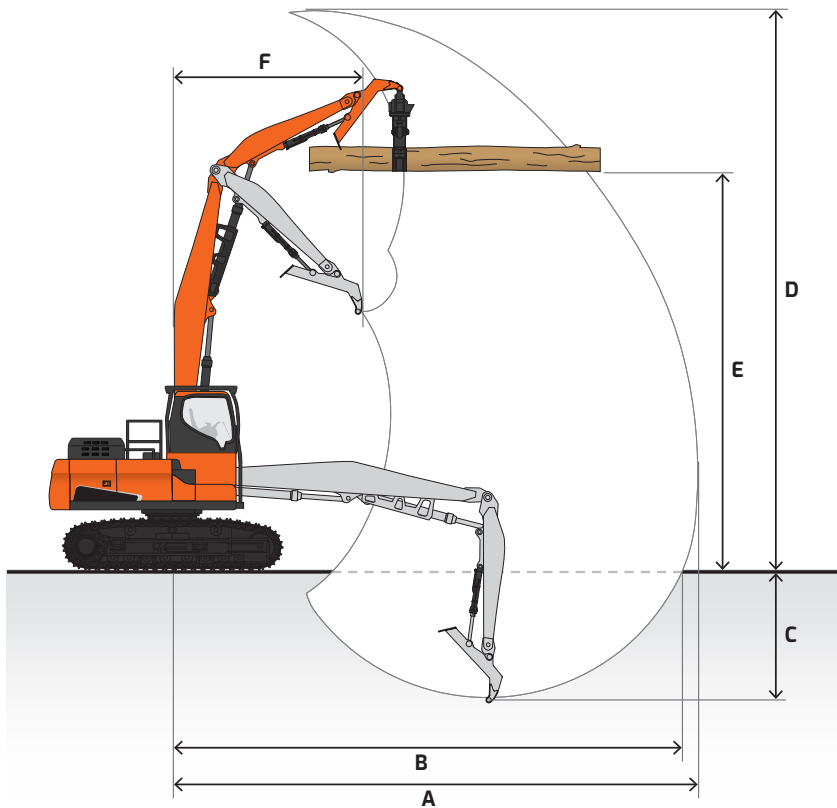
Working Range

Log Loader | Forestry Cab (US20)

| | | |
|-----------------------------|---|-------------------------------------|
| Boom length | | 23' 4" (7100 mm) |
| Arm length | | 15' 7" (4750 mm) |
| Track type | | High & wide fixed |
| Max. working reach | A | 44' 2" (13470 mm) |
| Max. working reach (ground) | B | 43' 2" (13150 mm) |
| Max. working depth | C | 12' 5" (3785 mm) |
| Max. working height** | D | 49' 2" (14974 mm) |
| Max. level log height* | E | 38' 6" (11729 mm) |
| Min. swing radius | F | 15' 7" (4750 mm) |
| Operating weight | | 113538 lb. (51500 kg) |
| Ground pressure | | 13.0 psi (0.88 kg/cm ²) |

*Measured to bottom of log with a diameter of 24" (610 mm)

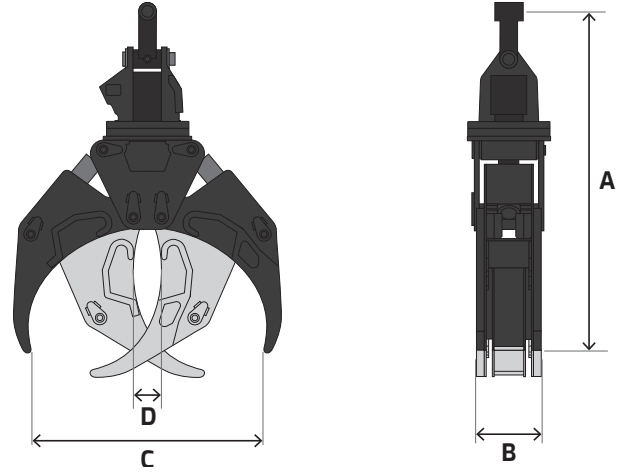
**Without shoe grouser



Grapple

LGX380

| | | |
|----------|----------------------------------|------------------|
| Weight | 3460 lb. (1569 kg) | |
| Height | A | 8' 10" (2699 mm) |
| Width | B | 1' 5" (425 mm) |
| Open | C | 5' 3" (1600 mm) |
| Closed | D | 6" (152 mm) |
| Rotation | 10 rpm @ 4 gal./min. (15 L/min.) | |



Lifting Capacity

Rating over front Rating over side or 360°

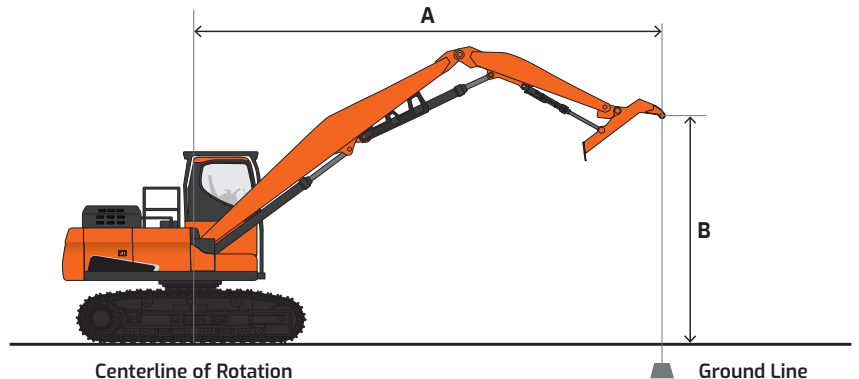
DX380LL-5 Log Loader U520 | Forestry Cab

Boom: 23' 4" (7100 mm) | Arm: 15' 7" (4750 mm) | Counterweight: 18739 lb. (8500 kg) | 28" (700 mm) DG Shoes | Grapple: None | Unit: lb. (kg)

| A (ft. or m) B (ft. or m) | 15' (4.5 m) | | 20' (6.0 m) | | 25' (7.5 m) | | 30' (9.0 m) | | 35' (10.5 m) | | Max. Reach | | A | |
|------------------------------------|----------------------|----------------------|----------------------|----------------------|----------------------|------------------|----------------------|-----------------|------------------|-----------------|----------------------|----------------------|---------------------|--------------------|
| | | | | | | | | | | | | | | |
| 45' (13.5 m) | | | | | | | | | | | * 43720 (* 19830) | * 43720 (* 19830) | 13.86' (4.22 m) | |
| 40' (12.0 m) | | | * 37780 (* 17140) | 36760 (16670) | | | | | | | * 30340 (* 13760) | 27480 (12470) | 23.11' (7.04 m) | |
| 35' (10.5 m) | | | * 36310 (* 16470) | * 36310 (* 16470) | * 32700 (* 14830) | 25930 (11760) | | | | | * 25800 (* 11700) | 19470 (8830) | 28.67' (8.74 m) | |
| 30' (9.0 m) | | | * 36050 (* 16350) | * 36050 (* 16350) | * 32140 (* 14580) | 26200 (11890) | * 29260 (* 13270) | 19120 (8670) | | | | * 23510 (* 10660) | 15760 (7150) | 32.58' (9.93 m) |
| 25' (7.5 m) | | | * 37420 (* 16970) | 37380 (16960) | * 32760 (* 14860) | 25930 (11760) | * 29280 (* 13280) | 19110 (8670) | 22460 (10190) | 14460 (6560) | 21380 (9700) | 13690 (6210) | 35.34' (10.77 m) | |
| 20' (6.0 m) | * 31730 (* 14390) | * 31730 (* 14390) | * 40190 (* 18230) | 36110 (16380) | * 34190 (* 15510) | 25230 (11450) | 28970 (13140) | 18770 (8520) | 22440 (10180) | 14440 (6550) | 19550 (8870) | 12440 (5640) | 37.26' (11.36 m) | |
| 15' (4.5 m) | | | * 43850 (* 19890) | 34250 (15540) | * 36050 (* 16350) | 24240 (11000) | 28380 (12870) | 18240 (8270) | 22190 (10060) | 14210 (6440) | 18490 (8390) | 11710 (5310) | 38.45' (11.84 m) | |
| 10' (3.0 m) | | | * 47250 (* 21430) | 32170 (14590) | 36790 (16690) | 23140 (10500) | 27700 (12570) | 17620 (7990) | 21840 (9910) | 13890 (6300) | 18010 (8170) | 11360 (5150) | 38.97' (11.88 m) | |
| 5' (1.5 m) | | | * 48900 (* 22180) | 30400 (13790) | 35660 (16180) | 22140 (10040) | 27070 (12280) | 17050 (7730) | 21520 (9760) | 13590 (6160) | 18010 (8170) | 11340 (5150) | 38.86' (11.84 m) | |
| Ground Level | | | * 47780 (* 21670) | 29270 (13280) | 34850 (15810) | 21420 (9720) | 26600 (12070) | 16620 (7540) | 21290 (9660) | 13380 (6070) | 19250 (8730) | 12110 (5490) | 37' (11.28 m) | |
| -5' (-1.5 m) | | | * 43480 (* 19720) | 28780 (13060) | 34440 (15620) | 21050 (9550) | 26370 (11960) | 16410 (7440) | | | 23550 (10680) | 14720 (6680) | 31.98' (9.75 m) | |

A Distance from center of rotation
B Height

NOTE: Lifting capacities are in compliance with ISO 10567. Lift capacities apply only to the machine as originally manufactured and normally equipped by the manufacturer. Load point is the end of the arm. Rated loads shown do not exceed 75% of minimum tipping loads or 87% of hydraulic capacities. Rated loads marked with an asterisk (*) are limited by hydraulic capacities. The least stable position is over the side. The total mass of machine includes the mass of the boom, arm, counterweight, all operating fluids and 165 lb. (75 kg) operator.



Standard & Optional Equipment

| Standard Base Package, US20

● Standard ● Optional

Engine

| | |
|---|----|
| Emissions (EPA) | T4 |
| High-pressure common-rail (HPCR) | ● |
| Turbo, variable geometry (VGT) | ● |
| Cooled exhaust gas recirculation (CEGR) | ● |
| Diesel oxidation catalyst (DOC) | ● |
| Exhaust brake | ● |
| Selective catalyst reduction (SCR) | ● |
| Diesel exhaust fluid (DEF) | ● |
| Fuel filter with water separator | ● |
| Coolant recovery tank | ● |
| Dual element dry-type air filter with evacuator | ● |
| Precleaner | ● |
| Electronic engine control (ECU) | ● |
| Auto idle | ● |
| Auto shutdown (time-adjustable) | ● |
| Overheat & low oil pressure engine protection | ● |
| Block heater (110 V) | ● |
| Block heater (220 V) | ● |
| Fuel filler pump | ● |

Hydraulic

| | |
|---|---|
| Electronic Power Optimizing System (EPOS) | ● |
| Bent axial piston main pump (tandem) | ● |
| Cross-sensing pump control | ● |
| Pilot-operated control valves | ● |
| Gear pilot pump | ● |
| D-ECOPOWER | ● |
| Variable-speed hydraulic cooling fan | ● |
| Axial piston swing motor | ● |
| Swing drive with spring applied hydraulic release brake | ● |
| Axial piston travel motor (high/low, auto) | ● |
| Auxiliary hydraulics, two-way piping | ● |
| Auxiliary hydraulics, rotate piping | ● |

Electrical

| | |
|--|---|
| System voltage – 24 V | ● |
| Alternator – 24 V, 100 amp | ● |
| 2 x 12 V batteries, 200 AH reserve capacity | ● |
| Blade-type fuse panel | ● |
| Main circuit breaker | ● |
| Light, work (halogen): machine (8), boom (2) | ● |
| Light, work (LED) | ● |
| Hour meter | ● |
| Engine restart prevention system | ● |
| Rearview camera | ● |
| Side view camera | ● |
| Laptop service port | ● |
| Self-diagnostics system | ● |

Cabin

| | |
|--|---|
| Cab riser | ● |
| Forestry cab, side entry | ● |
| Forestry cab, rear entry | ● |
| ROPS (ISO 8082:2003, WCB G602) | ● |
| FOPS (ISO 8083:2006, WCB G608) | ● |
| Viscous mount, spring-reinforced | ● |
| Front window with wiper/washer | ● |
| Tinted safety glass | ● |
| Skylight | ● |
| Defrost, front window | ● |
| Lockable doors | ● |
| Seat | ● |
| - Heated | ● |
| - Air suspension | ● |
| - 2" (51 mm) seat belt | ● |
| - Adjustable height & recline | ● |
| - Adjustable fore/aft | ● |
| - Adjustable armrests | ● |
| 3" (76 mm) seat belt | ● |
| Control stands | ● |
| - Height adjustable | ● |
| - Mounted to seat base | ● |
| Storage for operator's manuals | ● |
| Fully automatic HVAC with ambient temperature sensor | ● |
| 7" multi-function LCD display monitor | ● |
| Cigarette lighter | ● |
| AM/FM stereo & MP3 port | ● |
| Speakers (2) | ● |
| Antenna, roof-mounted | ● |
| Microphone & speaker | ● |
| Hot/cold beverage compartment | ● |
| Power socket, 12 V | ● |
| Cup holder | ● |
| Interior light | ● |

Controls

| | |
|---|---|
| Joystick controls | ● |
| Pattern control change valve (SAE, ISO) | ● |
| Joystick attachment control | ● |
| Switches/buttons | ● |
| - Two-way | ● |
| Control stands | ● |
| - Height adjustable | ● |
| - Sliding (fore/aft) | ● |
| Engine speed control dial | ● |
| Travel pedals with hand levers | ● |
| Switches, console-mounted | ● |
| - Starter (key) | ● |
| - Travel speed selector | ● |
| - Work light | ● |
| - Auxiliary mode switch | ● |
| Emergency stop switch | ● |
| Power modes (P+, P, S, E) | ● |
| Jog dial display control | ● |
| Wiper control panel | ● |
| Audio control panel | ● |

Display Monitor & Warnings

| | |
|--|---|
| Gauges | ● |
| - Fuel level | ● |
| - DEF level | ● |
| - Engine coolant temperature | ● |
| - Hydraulic oil temperature | ● |
| - Engine rpm | ● |
| - Battery voltage | ● |
| - Hydraulic pump pressure | ● |
| - ECO | ● |
| - Digital clock | ● |
| - Trip meter | ● |
| - Hour meter | ● |
| - Fuel consumption | ● |
| Warning & indicator lights | ● |
| - Seat belt | ● |
| - Error code | ● |
| - SCR warning | ● |
| - Check engine | ● |
| - Engine oil pressure | ● |
| - Engine pre-heat engaged | ● |
| - Radiator coolant level & temperature | ● |
| - Air filter | ● |
| - Fuel level | ● |
| - DEF level – low | ● |
| - Water in fuel | ● |
| - Battery charge | ● |
| - Work lights on | ● |
| - Hydraulic oil temperature | ● |
| - Hydraulic charge pressure | ● |
| - Hydraulic pilot filter | ● |
| - Hydraulic return filter | ● |
| Travel alarm | ● |
| Buzzer | ● |
| - Engine oil pressure | ● |
| - Coolant temperature | ● |

Undercarriage

| | |
|--------------------------------------|---|
| High-walker, high & wide fixed width | ● |
| Track guards & chains with adjusters | ● |
| Track rollers, upper | 2 |
| Track rollers, lower | 9 |
| In-shoe motor protection | ● |
| Shoes, double grouser – 700 mm | ● |
| Shoes, single grouser – 700 mm | ● |
| Link, HD chain | ● |
| Track guides, HD full-length | ● |

Main Frame

| | |
|--|---|
| HD mainframe reinforcement | ● |
| HD integrated catwalks | ● |
| HD guarding, underbody plating | ● |
| HD guarding, final drive motors | ● |
| HD guarding, side doors – pump & radiator protection | ● |

Other

| | |
|--|---|
| Centralized lubrication | ● |
| - Boom | ● |
| - Arm | ● |
| - Swing | ● |
| Automatic greasing | ● |
| Handrails & service platforms | ● |
| Skid-resistant steps & service platforms | ● |
| Manuals | ● |
| - Operation & Maintenance | ● |
| - Parts | ● |
| - AEM Safety Manual | ● |
| Machine telematics 3-year subscription | ● |
| Vandalism protection | ● |
| - Lockable panels | ● |
| - Lockable fluid fill points | ● |
| - Anti-theft protection (password) | ● |

DEVELON

na.develon-ce.com

DX380LL-5 Log Loader
Printed in the U.S.A.
23900_001_D030823

©2023 Hyundai Doosan Infracore. All rights reserved.
Hyundai Doosan Infracore is an affiliate of HD Hyundai;
DEVELON is a brand of Hyundai Doosan Infracore.